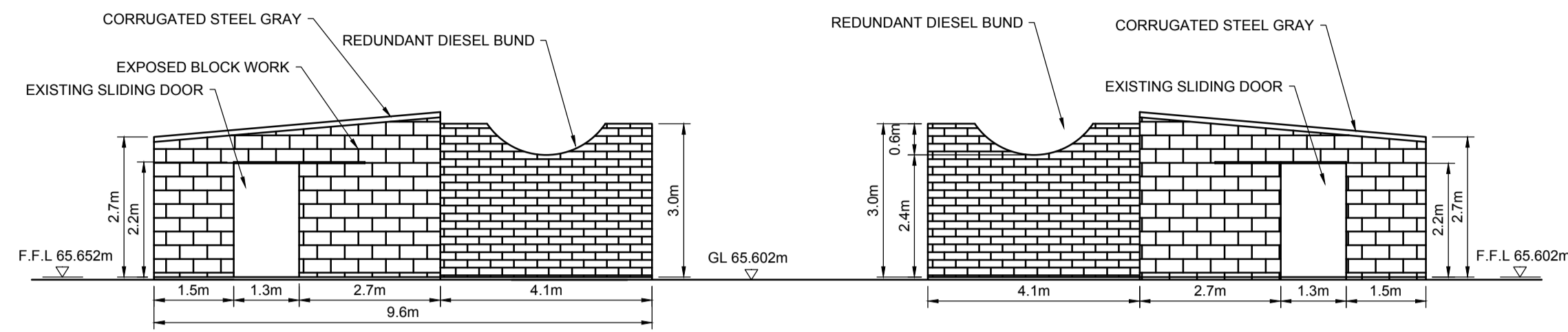
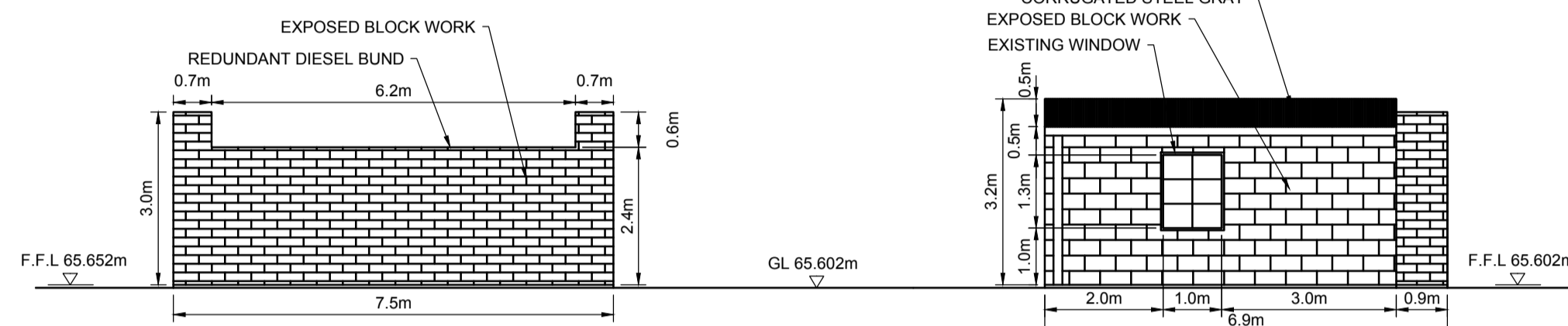


- NOTES:**
1. THIS DRAWING IS FOR PLANNING APPLICATION PURPOSES ONLY.
  2. DRAWING NOT TO BE SCALED. FIGURED DIMENSIONS ONLY TO BE USED.
  3. ALL LEVELS TO MALIN HEAD METRES ABOVE DATUM



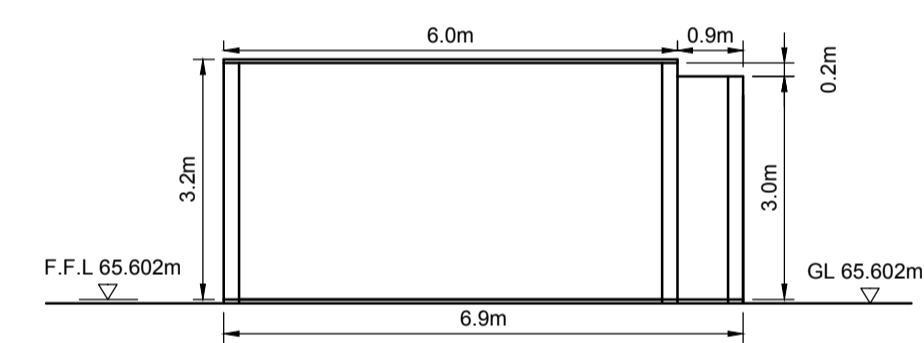
NORTH EAST ELEVATION

SOUTH WEST ELEVATION

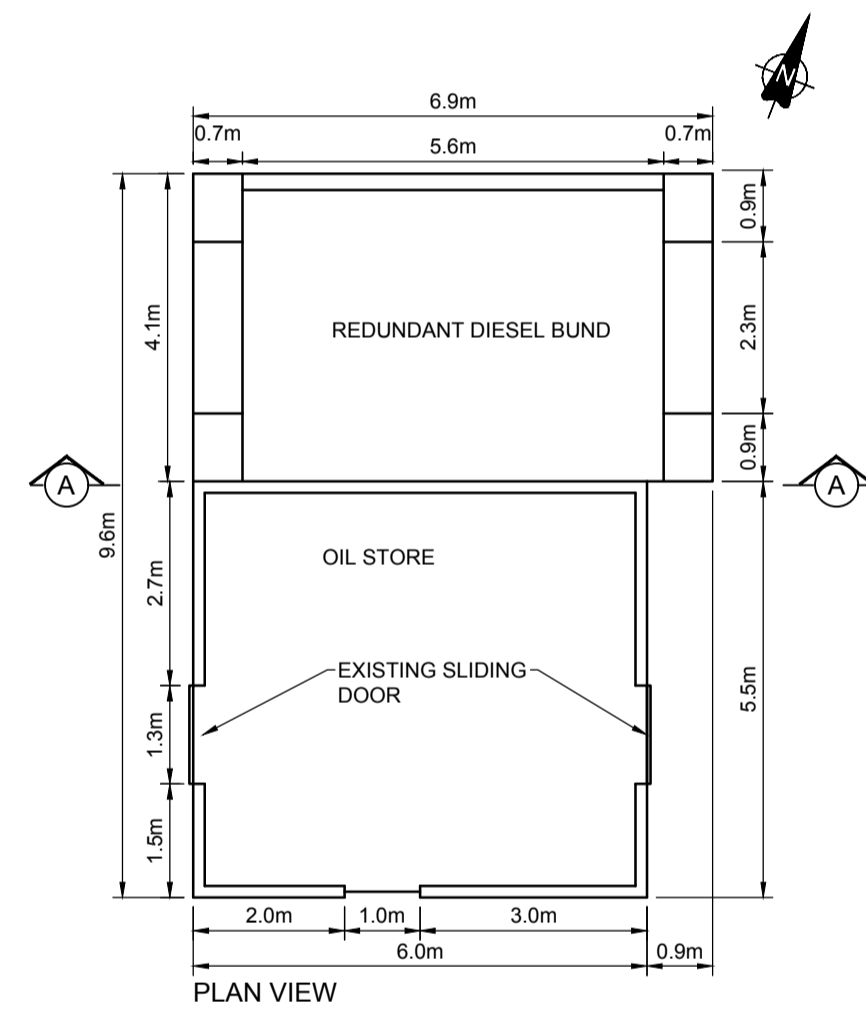


NORTH WEST ELEVATION

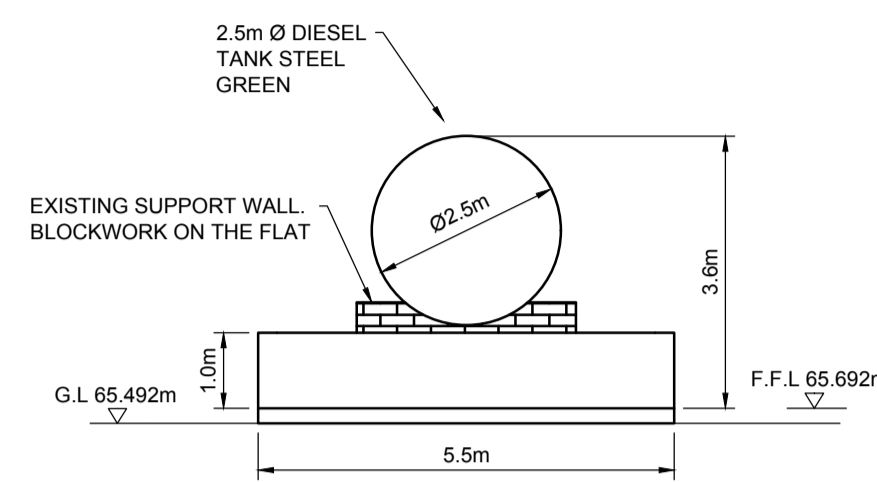
SOUTH EAST ELEVATION



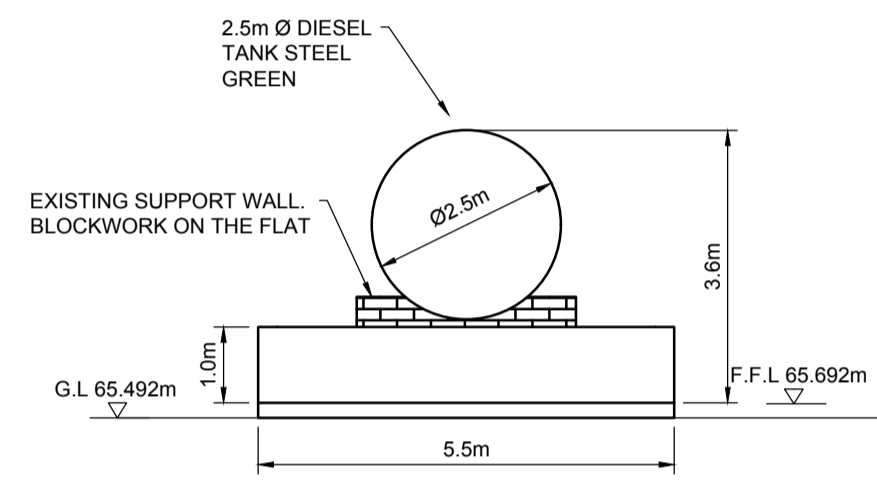
SECTION A-A



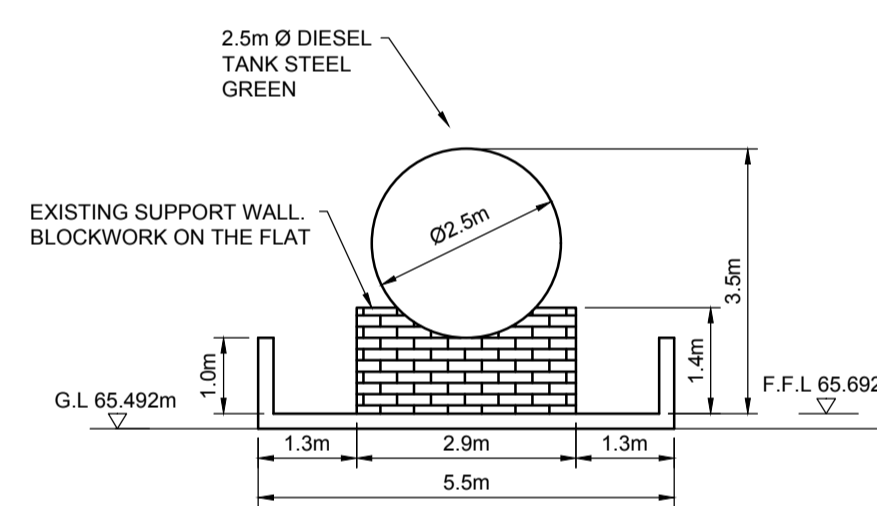
EXISTING OIL STORE AND REDUNDANT DIESEL BUND  
SCALE 1:100



NORTH EAST ELEVATION

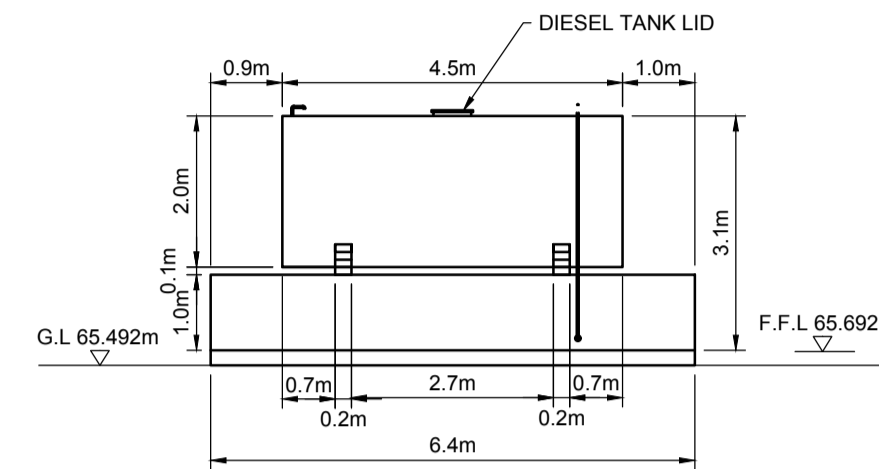


SOUTH WEST ELEVATION

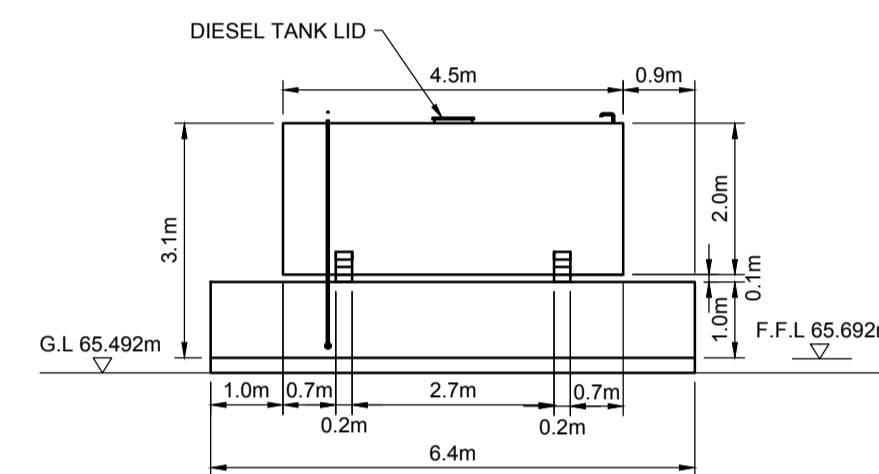


SECTION B-B

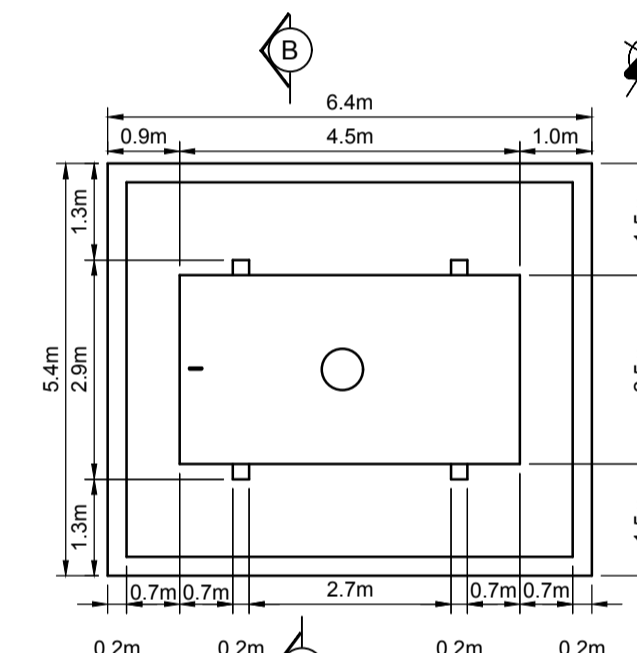
EXISTING BUNDED DIESEL TANK  
SCALE 1:100



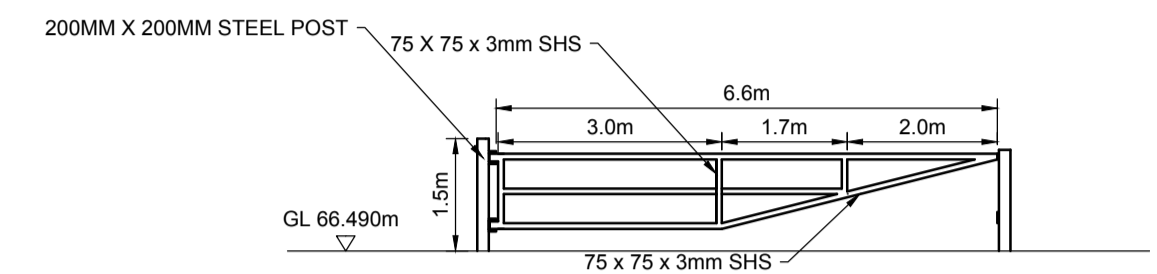
NORTH WEST ELEVATION



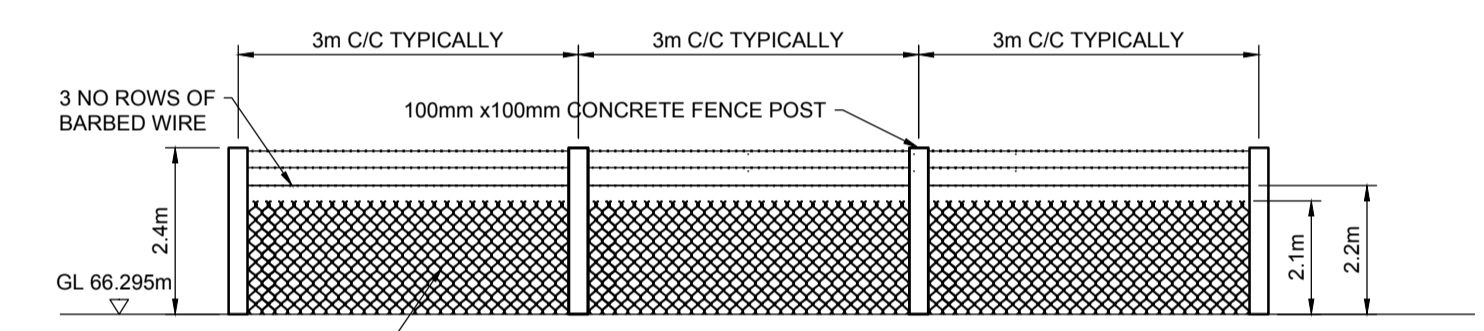
SOUTH EAST ELEVATION



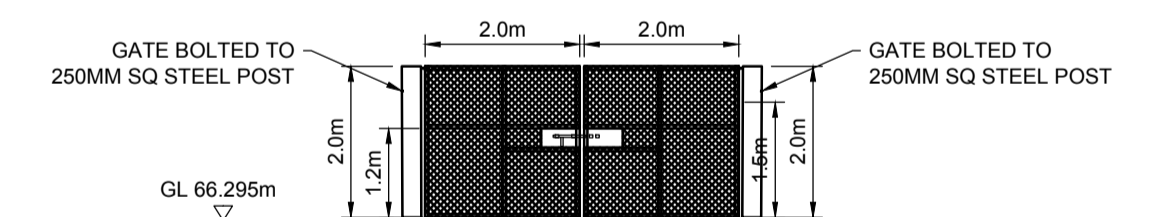
PLAN VIEW



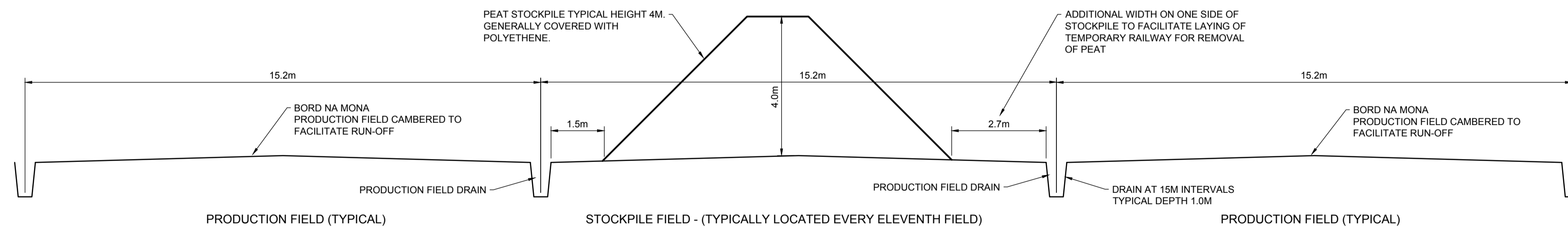
SITE ENTRANCE BARRIER DETAIL  
SCALE 1:100



COMPOUND PERIMETER FENCE DETAIL  
SCALE 1:100



COMPOUND GATE DETAIL  
SCALE 1:100



TYPICAL SECTION THROUGH PRODUCTION FIELDS  
SCALE 1:100

Project: **SUBSTITUTE CONSENT APPLICATION  
BELLAIR BOG, CO OFFALY**

REVISION	By	Date	Chkd	Title:
				<b>BUILDINGS AND STRUCTURES</b>
Dimensions in METRES				
Scale: 1:100 @ A1				
Drawn By:	JC	28/04/2020		Bord Na Móna Engineering Department LEABEG, TULLAMORE CO. OFFALY Tel: 057 9345900 Fax: 057 9345160
Checked By:	PN	30/04/2020		
Approved By:	DK	21/05/2020		
			Drawing No.	Revision.
			SC-0500-BE-DR005	Sheet 1 of 1